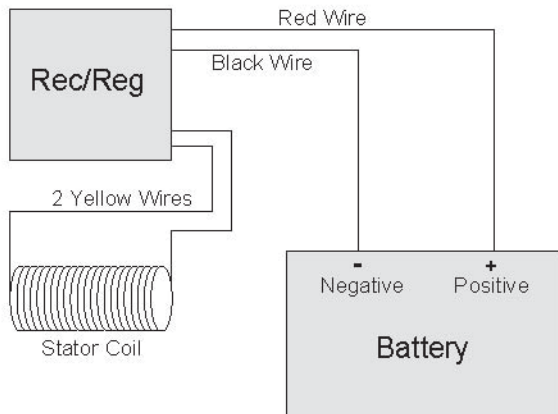




## Rectifier/Regulator Hook-up



### CAUTION!

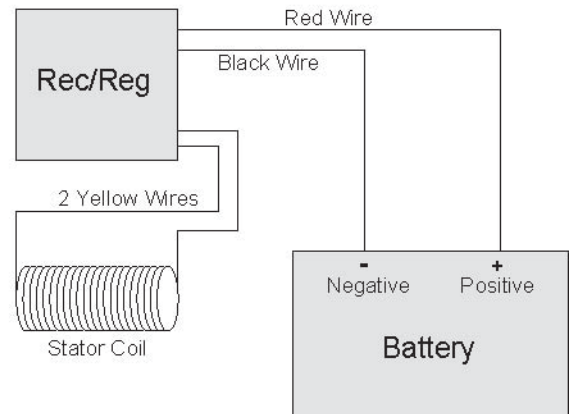
If you do not have 2 wires to feed the Rec/Reg then the "grounded" end of the coil must be "floated"

### Ricky Stator

1672 Main St., Suite E, PMB 104, Ramona, CA 92065  
760-787-0094 ♦ Fax: 760-7870-0313  
E-mail: stator@adnc.com ♦ www.rickystator.com



## Rectifier/Regulator Hook-up



### CAUTION!

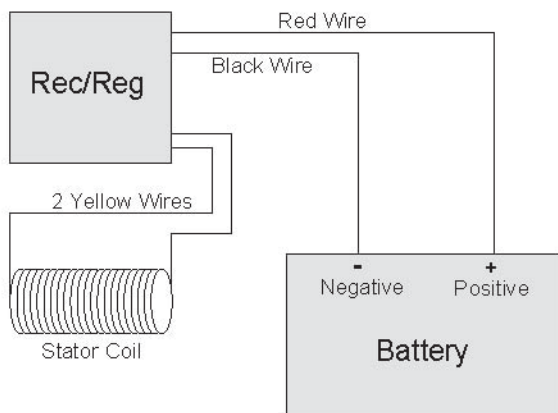
If you do not have 2 wires to feed the Rec/Reg then the "grounded" end of the coil must be "floated"

### Ricky Stator

1672 Main St., Suite E, PMB 104, Ramona, CA 92065  
760-787-0094 ♦ Fax: 760-7870-0313  
E-mail: stator@adnc.com ♦ www.rickystator.com



## Rectifier/Regulator Hook-up



### CAUTION!

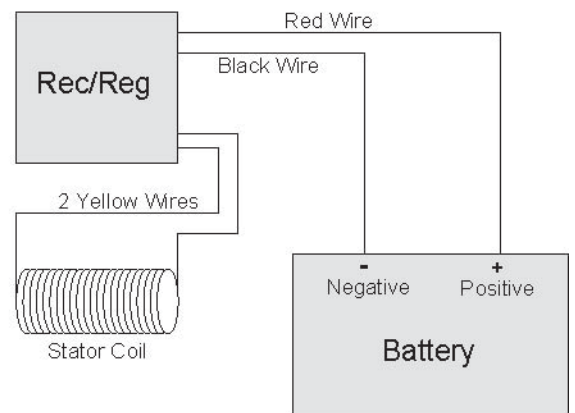
If you do not have 2 wires to feed the Rec/Reg then the "grounded" end of the coil must be "floated"

### Ricky Stator

1672 Main St., Suite E, PMB 104, Ramona, CA 92065  
760-787-0094 ♦ Fax: 760-7870-0313  
E-mail: stator@adnc.com ♦ www.rickystator.com



## Rectifier/Regulator Hook-up



### CAUTION!

If you do not have 2 wires to feed the Rec/Reg then the "grounded" end of the coil must be "floated"

### Ricky Stator

1672 Main St., Suite E, PMB 104, Ramona, CA 92065  
760-787-0094 ♦ Fax: 760-7870-0313  
E-mail: stator@adnc.com ♦ www.rickystator.com